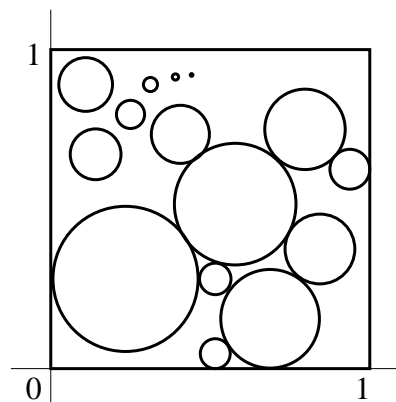


## Disconcerting problems about dimensions

### Discussion and statement of the first problem

A *sequence of bubbles* is an infinite sequence of circles in the unit square of the plane,  $[0, 1] \times [0, 1]$ , whose interiors do not overlap. The center and radius of each circle should be specified in some algebraic or geometric fashion. A picture of some bubbles in one sequence appears to the right.



Is there a sequence of bubbles so that

- i the sum of the bubble areas is finite and
- ii the sum of the bubble circumferences is infinite?

### What you should do

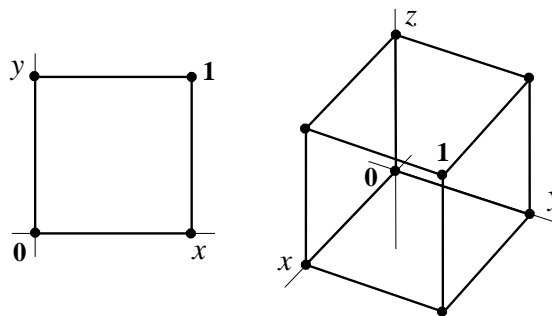
Either give an example of such a sequence of bubbles as explicitly as you can, or explain why no example exists. Your answer should contain a discussion supporting your assertion written in complete English sentences.

### Discussion and statement of the second problem

We begin with some terminology and notation.

- $\mathbb{R}^n$  (pronounced “are en”) is  $n$ -dimensional Euclidean space. A point  $p$  in  $\mathbb{R}^n$  is an  $n$ -tuple of real numbers:  $p = (x_1, x_2, \dots, x_n)$ . The numbers  $x_j$  are called the coordinates of  $p$ . For example,  $(1, 2, -3.8, 400, 5\pi)$  is a point in  $\mathbb{R}^5$ .
- If  $p = (x_1, x_2, \dots, x_n)$  and  $q = (y_1, y_2, \dots, y_n)$  are two points in  $\mathbb{R}^n$ , the distance from  $p$  to  $q$  is defined to be  $D(p, q) = \sqrt{\sum_{j=1}^n (x_j - y_j)^2}$ . This is supposed to be a natural generalization of the usual formulas for distance in  $\mathbb{R}^2$  and  $\mathbb{R}^3$ : a repetition  $n$  times of the Pythagorean formula. For example,  $p = (1, 7, 8, -4)$  and  $q = (2, -3, 9, 9)$  are points in  $\mathbb{R}^4$ , and the distance between them is  $\sqrt{(1-2)^2 + (7-(-3))^2 + (8-9)^2 + (-4-9)^2} = \sqrt{271} \approx 16.46208$ . The formula for  $D(p, q)$  satisfies the usual rules for distances. The text uses  $|pq|$  to denote the distance from  $p$  to  $q$ .
- The origin in  $\mathbb{R}^n$  is  $\mathbf{0} = (0, 0, \dots, 0)$ , the  $n$ -tuple which is all 0's.
- The  $n$ -dimensional unit cube is the collection of points  $(x_1, x_2, \dots, x_n)$  in  $\mathbb{R}^n$  satisfying all of these inequalities:  $0 \leq x_j \leq 1$  for  $1 \leq j \leq n$ .
- The corners of the  $n$ -dimensional unit cube are the points  $(x_1, x_2, \dots, x_n)$  where each  $x_j$  is either 0 or 1. Each of the  $n$  choices of the coordinates for a corner can be made independently and there are two alternatives for each coordinate. Therefore the  $n$ -dimensional unit cube has  $2^n$  corners.

**OVER**



Here are some familiar unit cubes, in 2 and 3 dimensions. The corners are marked with  $\bullet$ 's. The 2-dimensional cube has  $2^2 = 4$  corners. The 3-dimensional cube has  $2^3 = 8$  corners.

Do these exercises before starting the problem. The solutions should *not* be handed in! Bare answers (“spoilers”) without explanation appear at the bottom of the page. I suggest you look at them *after* you try the problems.

**Exercise 1** Suppose  $\mathbf{1} = (1, 1, \dots, 1)$ , the  $n$ -tuple which is all 1's. Compute the distance between  $\mathbf{0}$  and  $\mathbf{1}$ , which are both corners of the  $n$ -dimensional cube. This should convince you that at least *part* of the  $n$ -dimensional cube “sticks out” far away from the origin.

**Exercise 2** The 20-dimensional unit cube has  $2^{20} = 1,048,576$  corners, far too many to list explicitly. You may need to use a calculator to answer the questions below.

- How many corners of the 20-dimensional cube have *all* 0's in their coordinates? How many have *exactly one* 1 in their coordinates? How many have *exactly two* 1's in their coordinates? How many have *exactly three* 1's in their coordinates? How many have *exactly four* 1's in their coordinates? [This starts out very easy, then becomes harder.]
- Use a)'s answer to find the total number of corners of the 20-dimensional unit cube which have 1's in at most four coordinates.
- Use b)'s answer to find the total number of corners of the 20-dimensional unit cube whose distance to  $\mathbf{0}$  is at most 2. ( $2 = \sqrt{1^2 + 1^2 + 1^2 + 1^2}$ .)
- Use c)'s answer to find the proportion of the corners of the 20-dimensional unit cube which have distance to the origin greater than 2.

You may now believe unit cubes are quite weird when  $n$  is large. This is true:

Suppose  $A$  is a positive constant. Define  $\#(n, A)$  to be the number of corners of the  $n$ -dimensional unit cube whose distance to  $\mathbf{0}$  is greater than  $A$ . Then

$$\lim_{n \rightarrow \infty} \frac{\#(n, A)}{2^n} = 1$$

so “almost all” of the corners of the cube are eventually, as dimension grows, farther away from  $\mathbf{0}$  than  $A$ .

### What you should do

Verify the limit statement above. (You might want to actually prove that the proportion of corners whose distance is less than  $A$  has limit 0.) Use facts from calculus (quote them) comparing the asymptotic growth of polynomials and exponentials. Your answer should have a discussion supporting your assertion written in complete English sentences.

### Hints

Begin with  $A = 2$ : in exercise 2, generalize to  $\mathbb{R}^n$  in place of  $\mathbb{R}^{20}$ . The limit for  $A = 2$  compares the growth of a fourth degree polynomial with that of an exponential function. Then consider  $A = 78$ . The polynomial's degree is now  $78^2$  but the asymptotics (polynomial growth versus exponential growth) remain qualitatively the same.

Hand in a report on the general case, if possible. The course web page has links which may be useful about binomial coefficients and the symbols used for summation and product.